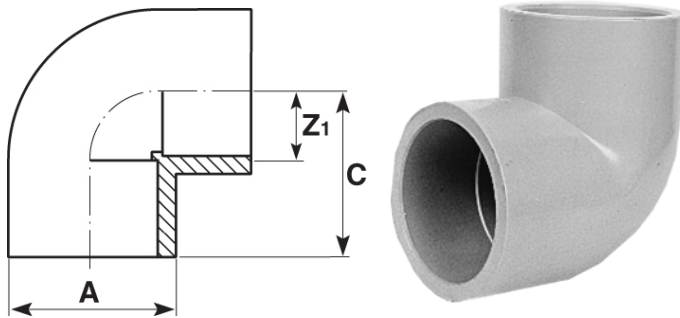


**22.010.01**
**Winkel 90°**

**GIA**

| d   | Art.-Nr.       | PN | A   | C   | Z <sub>1</sub> | kg     | LS | VE  |
|-----|----------------|----|-----|-----|----------------|--------|----|-----|
| 16  | 722.010.01.016 | 10 | 20  | 24  | 10             | 0,006  | 1  | 300 |
| 20  | 722.010.01.020 | 10 | 25  | 28  | 11             | 0,010  | 1  | 150 |
| 25  | 722.010.01.025 | 10 | 31  | 34  | 15             | 0,017  | 1  | 100 |
| 32  | 722.010.01.032 | 10 | 40  | 41  | 18             | 0,035  | 1  | 100 |
| 40  | 722.010.01.040 | 10 | 50  | 47  | 20             | 0,068  | 1  | 40  |
| 50  | 722.010.01.050 | 10 | 62  | 59  | 26             | 0,129  | 1  | 100 |
| 63  | 722.010.01.063 | 10 | 78  | 71  | 31             | 0,230  | 1  | 50  |
| 75  | 722.010.01.075 | 10 | 90  | 83  | 38             | 0,385  | 1  | 38  |
| 90  | 722.010.01.090 | 10 | 112 | 100 | 49             | 0,690  | 1  | 20  |
| 110 | 722.010.01.110 | 10 | 136 | 125 | 63             | 1,220  | 1  | 12  |
| 125 | 722.010.01.125 | 10 | 155 | 140 | 63             | 1,720  | 1  | 6   |
| 140 | 722.010.01.140 | 10 | 173 | 153 | 76             | 2,390  | 1  | 5   |
| 160 | 722.010.01.160 | 10 | 190 | 172 | 79             | 3,600  | 1  | 4   |
| 200 | 722.010.01.200 | 10 | 231 | 219 | 110            | 4,300  | 2  | 4   |
| 225 | 722.010.01.225 | 10 | 260 | 240 | 119            | 6,550  | 2  | 1   |
| 250 | 722.010.01.250 | 10 | 286 | 319 | 188            | 9,560  | 2  | 1   |
| 315 | 722.010.01.315 | 8  | 359 | 400 | 236            | 17,910 | 2  | 1   |